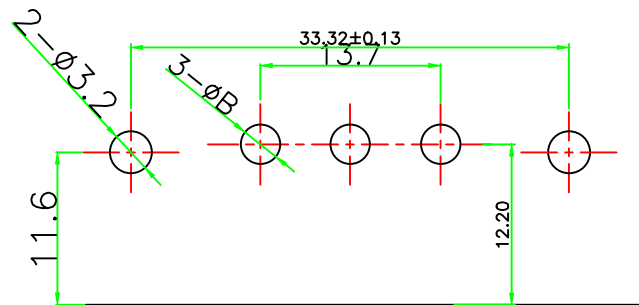
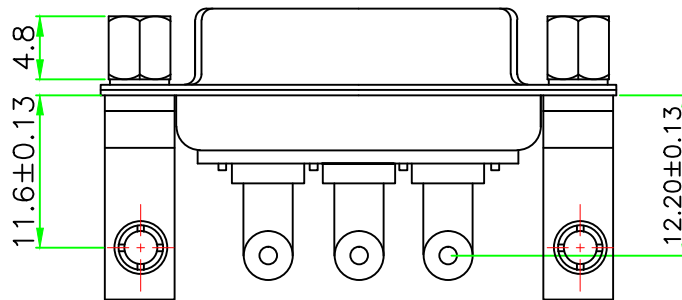
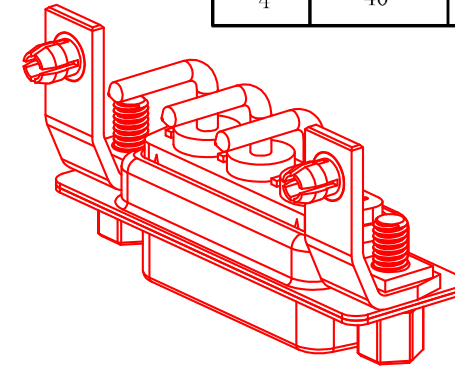
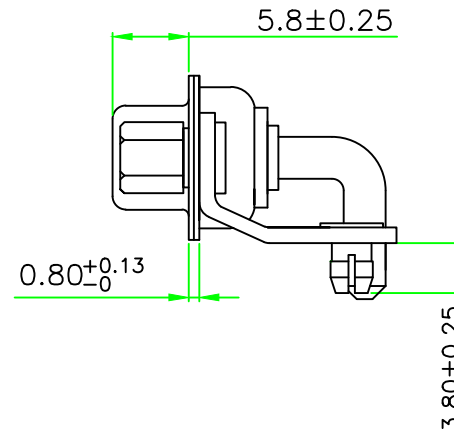
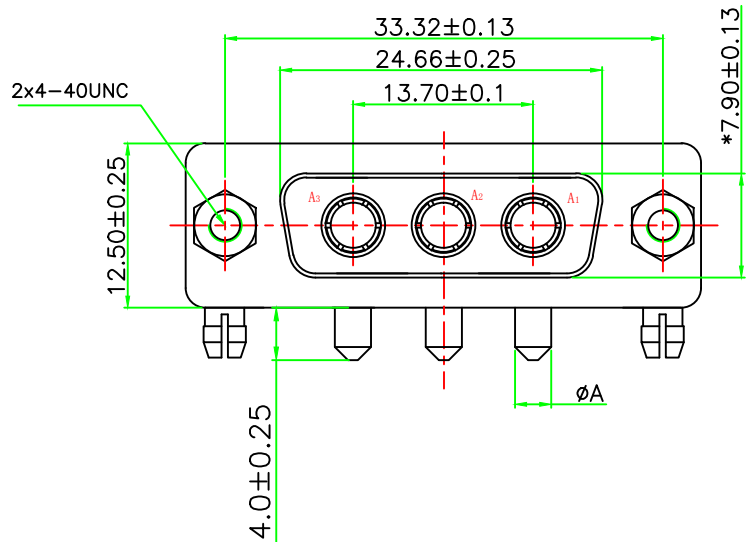


REV.	ECN. NO.	APPD.
A	WL-20-008	Jerry. Zhang

PO(X)	电流强度(A)	φA	PCB φB
1	10	1.7	2.0
2	20	2.75	3.0
3	30	3.3	3.6
4	40	3.8	4.10



PCB LAYOUT

MATERIALS AND FINISH

SHELL:STEEL OR COPPER ALLOY MATERIAL, Tin/Ni OR Au FINISHED.

CONNECTOR INSULATOR:PBT THERMOPLASTIC, 30% GLASS FILLED, UL 94V-0 RATED.

HIGHT POWER CONTACT :COPPER ALLOY MATERIAL, GOLD PLATED.

BRACKET/SCWER:COPPER ALLOY MATERIAL, Ni PLATED.

ELECTRICAL CHARACTERISTICS

HIGH POWER CONTACT CURRENT RATING:10, 20, 30 OR 40 AMPS.

THE WORKING VOLTAGE:300V.

HIGH POWER CONTECT RESISTANCE:10 MILLIOHMS MAX.

DIELECTRIC WITHSTANDING VOLTACE:1000 V AC FOR 1 MINUTE.

INSULATION RESISTANCE:2000 MEGAOHMS MIN. TEMPERATURE

RATING:-55° ~ +125° .

X.±	X'.±	UNITS	mm	NAME(INTENDED USE)	
.X± 0.3	.X'±	MAT'L		3W3 母弯插板铆11.6支架 带螺丝20A	
.XX± 0.20	.XX'±	SEE NOTES		PART NO.(INTENDED USE)	CLASS: <input type="checkbox"/> CONFIDENTIAL <input type="checkbox"/> SECRET <input checked="" type="checkbox"/> GENERAL
.XXX±	.XXX'±	FINISH		WL11-0401	TITLE: CONN DRAWING
<small>THESE DRAWINGS AND SPECIFICATIONS ARE THE PROPERTY OF INCEL INTERCONNECT TECHNOLOGY LIMITED, AND SHALL NOT BE REPRODUCED, COPIED OR USED IN ANY MANNER WITHOUT THE PRIOR WRITTEN CONSENT OF INCEL INTERCONNECT TECHNOLOGY LIMITED.</small>				APPD: yuan. wu 08/16"20	DWG NO.: WL11-0401-0529
				Q'TY	CHKD: lei. wang 08/16"20
				DRAW: min. sun 08/16"20	N/A 1/1 A