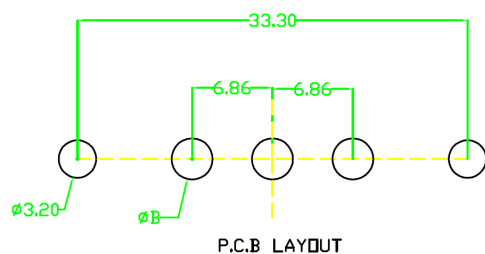
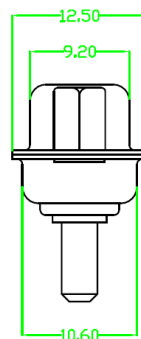
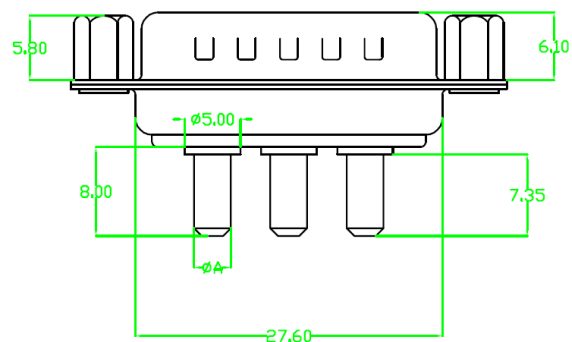
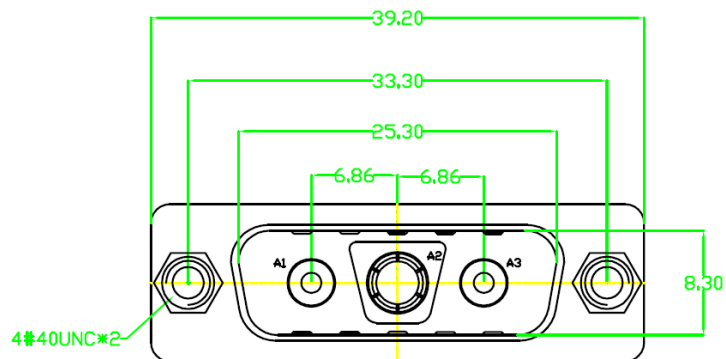


REV.	ECN. NO.	APPD.
A	WL-20-008	Jerry. Zhang

额定电流	ØA	PCB孔ØB
10A	Ø1.80	Ø2.00
20A	Ø2.80	Ø3.00
30A	Ø3.30	Ø3.50
40A	Ø3.80	Ø4.00



### SPECIFICATION

#### MATERIAL

Insulator: PBT fiber 30% UL94V-0

Contacts: Brass

Shell: Steel

Rivet: Copper alloy

#### CONTACT PLATING

Underplated: 40u" Nickel

Contact area: 1u" ~ 30u" gold .

#### ELECTRICAL

Operation voltage: 250 VACmax.

Signal contact current rating: 5 Amps

Signal contact resistance: 10 mohms max.

High power current rating: 10, 20, 30, 40 Amps max.

High power contact resistance: 2.7 mohms max.

Insulation resistance: 5000 Mohms min @ 500 VDC

Dielectric withstanding voltage: 1000 VAC / minute

Durability: 100 Cycles .

Extraction Force: 5. ON /per contact MAX

Retention Force: 1. ON/per contact MIN .

Test contact: Ø3.60 ± 0.01

X.±	X.±	UNITS	mm	NAME(INTENDED USE)				
.X± 0.3	.X±	MAT'L		3V3 公直焊板式(20A)外露8.0 全金前铆5.8空心螺母, 鍍錫				
.XX± 0.20	.XX±	SEE NOTES		PART NO.(INTENDED USE)	CLASS: <input type="checkbox"/> CONFIDENTIAL <input type="checkbox"/> SECRET <input checked="" type="checkbox"/> GENERAL			
.XXX±	.XXX±	FINISH		WL12-A501	TITLE: CONN DRAWING			
<small>THESE DRAWINGS AND SPECIFICATIONS ARE THE PROPERTY OF INCEL INTERCONNECT TECHNOLOGY LIMITED, AND SHALL NOT BE REPRODUCED, COPIED OR USED IN ANY MANNER WITHOUT THE PRIOR WRITTEN CONSENT OF INCEL INTERCONNECT TECHNOLOGY LIMITED.</small>				APPD: yuan. wu 08/16"20	DWG NO.: WL12-A501-0001			
				Q'TY	CHKD: lei. wang 08/16"20	SCALE	SHEET	REV.
					DRAW: min. sun 08/16"20	N/A	1/1	A