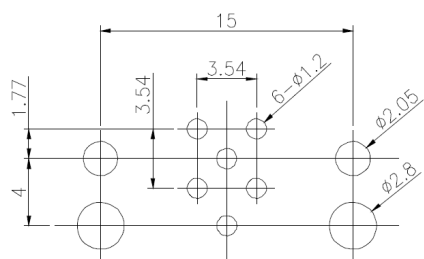
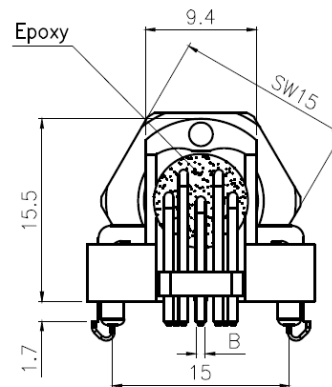
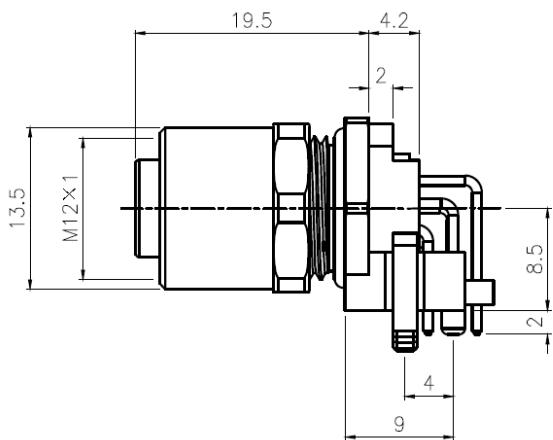
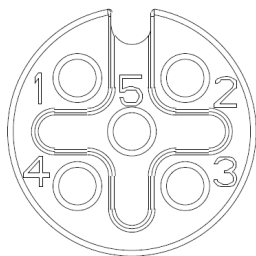


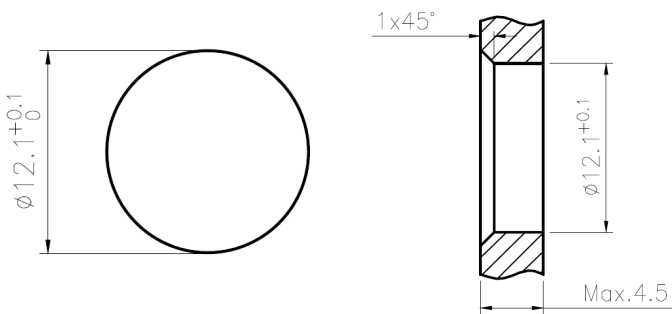
# 技术参数

芯数	2	3	4	4D	5	5B	6	8	12	17
额定电流/电压	4A/250V	4A/250V	4A/250V	4A/250V	4A/60V	4A/60V	2A/30V	2A/30V	1.5A/30V	1.5A/30V
额定脉冲电压	2500V	2500V	2500V	2500V	1500V	1500V	800V	800V	800V	800V
绝缘电阻 (MΩ)	≥100	≥100	≥100	≥100	≥100	≥100	≥100	≥100	≥100	≥100
接触电阻 (mΩ)	≤5	≤5	≤5	≤5	≤5	≤5	≤5	≤5	≤5	≤5

REV.	ECN. NO.	APPD.
A	WL-20-008	Jerry. Zhang



5P  
P.C.B. 开孔尺寸



B 过板插针孔径尺寸:  
 2~5P: φ1mm  
 8P: φ0.8mm  
 12P: φ0.6mm

IDEAS GENERATED DRAWING. DON'T CHANGE BY HAND.

X.±	X'.±	UNITS	mm	NAME(INTENDED USE)			
.X± 0.3	.X'±	MAT'L		M12 5P A-CODING 母弯头屏蔽型面板式PCB型连接器前锁			
.XX± 0.20	.XX'±	SEE NOTES		PART NO.(INTENDED USE)	CLASS: <input type="checkbox"/> CONFIDENTIAL <input type="checkbox"/> SECRET <input checked="" type="checkbox"/> GENERAL		
.XXX±	.XXX'±	FINISH		WL12-7201	TITLE: CONN DRAWING		
THESE DRAWINGS AND SPECIFICATIONS ARE THE PROPERTY OF INCEL INTERCONNECT TECHNOLOGY LIMITED, AND SHALL NOT BE REPRODUCED, COPIED OR USED IN ANY MANNER WITHOUT THE PRIOR WRITTEN CONSENT OF INCEL INTERCONNECT TECHNOLOGY LIMITED.				APPD: yuan. wu 08/16~20	DWG NO.: WL12-7201-0038		
				Q'TY	CHKD: lei. wang 08/16~20	SCALE	SHEET
				DRAW: min. sun 08/16~20	N/A	1/1	A